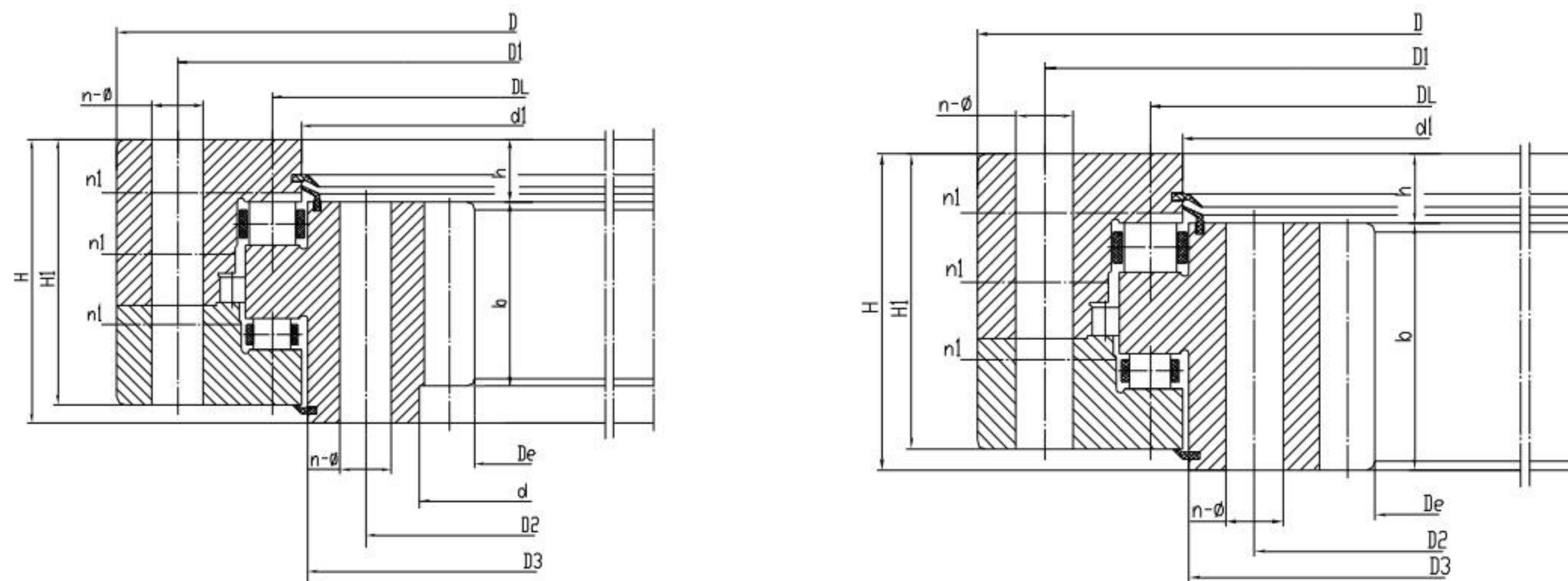


Internal-toothed Triple Row Cylindrical Roller Slewing Bearings

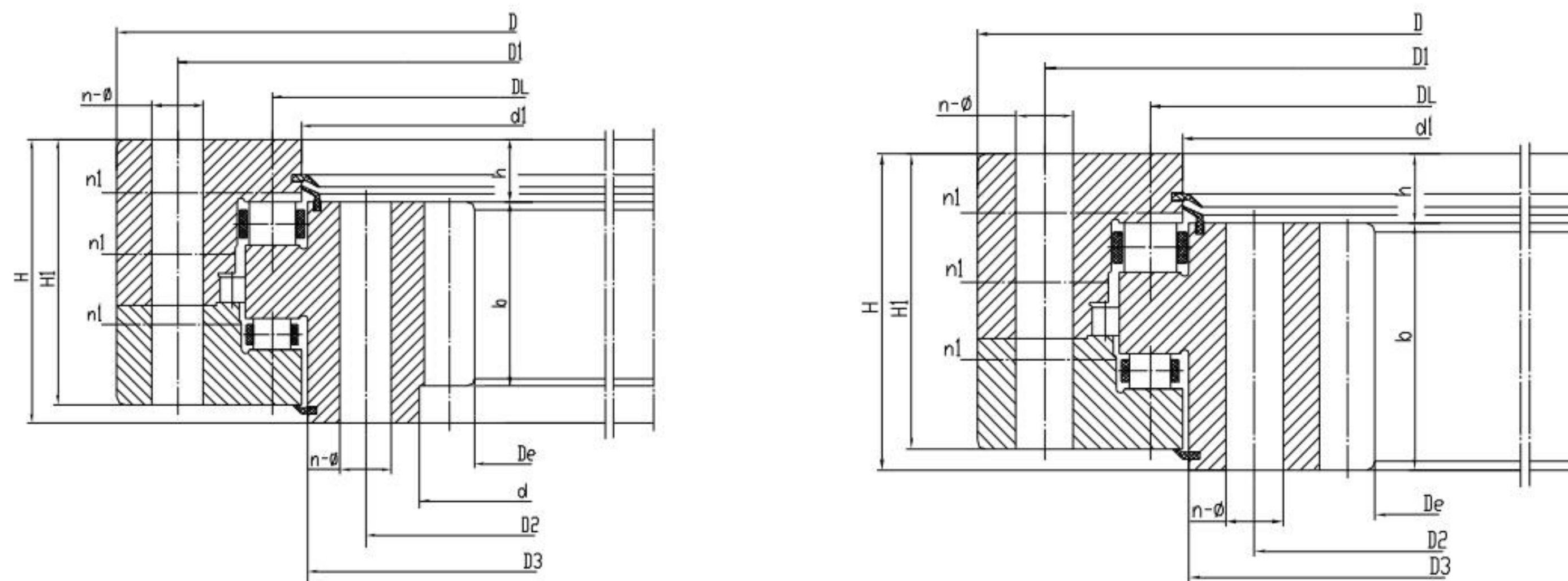


NOTE:

1. n1 is the number of lubricating oil holes, the customer can specify the location of oil holes according to the use situation.
2. n-φ can be changed into thread hole, thread diameter M, thread depth 2M.
3. The specifications in this sample are standard products, please contact SINOFOLIV for any other special requirements.

Bearing Part Number	Boundary Dimensions				Mounting Hole Dimensions					Configuration Dimensions						Gear Parameter				Weight kg
	De	D	d	H	D1	D2	n	φ		D3	d1	H1	h	n1	M	m	Z	b	x	
	mm				mm					mm										
HYN500	337	634	366	148	598	402	24	18		474	463	138	32	4	16	5	68	80	+0.5	198
HYN500M	338.4	634	366	148	598	402	24	18		474	463	138	32	4	16	6	57	80	+0.5	198
HYN560	397	694	426	148	658	462	24	18		534	523	138	32	4	16	5	80	80	+0.5	222
HYN560M	398.4	694	426	148	658	462	24	18		534	523	138	32	4	16	6	67	80	+0.5	220
HYN630	458.4	764	496	148	728	532	28	18		604	593	138	32	4	16	6	77	80	+0.5	253
HYN630M	459.2	764	496	148	728	532	28	18		604	593	138	32	4	16	8	58	80	+0.5	251
HYN710	536.4	844	567	148	808	612	28	18		684	673	138	32	4	16	6	90	80	+0.5	288
HYN710M	539.2	844	567	148	808	612	28	18		684	673	138	32	4	16	8	68	80	+0.5	284
HYN800	595.2	964	636	182	920	680	36	22		770	759	172	40	4	20	8	75	120	+0.5	483
HYN800M	594	964	636	182	920	680	36	22		770	759	172	40	4	20	10	60	120	+0.5	481
HYN900	691.2	1064	736	182	1020	780	36	22		870	859	172	40	4	20	8	87	120	+0.5	551
HYN900M	694	1064	736	182	1020	780	36	22		870	859	172	40	4	20	10	70	120	+0.5	545
HYN1000	784	1164	836	182	1120	880	40	22		970	959	172	40	5	20	10	79	120	+0.5	618
HYN1000M	784.8	1164	836	182	1120	880	40	22		970	959	172	40	5	20	12	66	120	+0.5	613
HYN1120	904	1284	956	182	1240	1000	40	22		1090	1079	172	40	5	20	10	91	120	+0.5	698
HYN1120M	904.8	1284	956	182	1240	1000	40	22		1090	1079	172	40	5	20	12	76	120	+0.5	691
HYN1250	988.8	1445	1055	220	1393	1107	45	26		1213	1200	210	50	5	24	12	83	150	+0.5	1123
HYN1250M	985.6	1445	1055	220	1393	1107	45	26		1213	1200	210	50	5	24	14	71	150	+0.5	1122
HYN1400	1144.8	1595	1205	220	1543	1257	45	26		1363	1350	210	50	5	24	12	96	150	+0.5	1254
HYN1400M	1139.6	1595	1205	220	1543	1257	45	26		1363	1350	210	50	5	24	14	82	150	+0.5	1258
HYN1600	1335.6	1795	1405	220	1743	1457	48	26		1563	1500	210	50	6	24	14	96	150	+0.5	1454
HYN1600M	1334.4	1795	1405	220	1743	1457	48	26		1563	1500	210	50	6	24	16	84	150	+0.5	1448
HYN1800	1531.6	1995	1605	220	1943	1657	48	26		1763	1750	210	50	6	24	14	110	150	+0.5	1658
HYN1800M	1526.4	1995	1605	220	1943	1657	48	26		1763	1750	210	50	6	24	16	96	150	+0.5	1663
HYN1992	1740	2180		153	2115	1870	66	33		1966	1948	141	33	8	30	12	146	120	0.5	1280
HYN2000	1760	2147		132	2095	1895	54	26		1968	1969	123	26	5	24	16	111	106	+0.5	902
HYN2000R	1728	2181		147	2115	1875	44	33		1974	1963	138	30	7	30	16	109	117	+0.5	1202
HYN2000R1	1702.4	2221	1779	231	2155	1845	60	33		1967	1945	219	54	6	30	16	107	160	+0.5	2114
HYN2000R1M	1699.2	2221	1779	231	2155	1845	60	33		1967	1945	219	54	6	30	18	95	160	+0.5	2112
HYN2138	1820	2320	1910	160	2255	1990	30/40	37.5		2144	2105	140	20	4	36	14	132	110	0	1500

Internal-toothed Triple Row Cylindrical Roller Slewing Bearings



NOTE:

1. n1 is the number of lubricating oil holes, the customer can specify the location of oil holes according to the use situation.
2. n-φ can be changed into thread hole, thread diameter M, thread depth 2M.
3. The specifications in this sample are standard products, please contact SINOFOUV for any other special requirements.

Bearing Part Number	Boundary Dimensions				Mounting Hole Dimensions					Configuration Dimensions						Gear Parameter				Weight kg
	De	D	d	H	D1	D2	n	φ		D3	d1	H1	h	n1	M	m	Z	b	x	
	mm				mm					mm										
HYN2230	1862	2540	1945	265	2436	2020	72/68	45	2166	2150	253	60	9	42	16	117	165	+0.5	3530	
HYN2240	1944	2421		147	2355	2115	48	33	2214	2203	138	30	8	30	18	109	117	+0.5	1406	
HYN2240R	1908	2458		181	2380	2085	40	39	2210	2199	172	42	8	36	18	107	139	+0.5	2010	
HYN2240R1	1924.4	2461	2019	231	2395	2085	60	33	2207	2185	219	54	6	30	16	121	160	+0.5	2447	
HYN2240R1M	1933.2	2461	2019	231	2395	2085	60	33	2207	2185	219	54	6	30	18	108	160	+0.5	2407	
HYN2500	2185.2	2721		241	2655	2341	24/72	39	2460	2443	229	54	4	36	18	122	170	+0.5	2817	
HYN2500R	2178	2718		181	2640	2345	44	39	2470	2459	172	42	7	36	18	122	139	+0.5	2210	
HYN2500R1	2185.2	2721	2279	231	2655	2345	72	33	2467	2445	219	54	8	30	18	122	160	+0.5	2862	
HYN2500R1M	2188	2721	2279	231	2655	2345	72	33	2467	2445	219	54	8	30	20	110	160	+0.5	2834	
HYN2800	2500	2981		147	2915	2675	60	33	2774	2763	138	30	10	30	20	126	117	+0.5	1767	
HYN2800R	2460	3018		181	2940	2645	48	39	2770	2759	172	42	8	36	20	124	139	+0.5	2542	
HYN2800R1	2460	3038		220	2960	2635	48	39	2763	2750	210	50	8	36	20	124	170	+0.5	3213	
HYN2800R2	2491.2	3021	2579	231	2955	2645	72	33	2767	2745	219	54	8	30	18	139	160	+0.5	3211	
HYN2800R2M	2488	3021	2579	231	2955	2645	72	33	2767	2745	219	54	8	30	20	125	160	+0.5	3209	
HYN3150	2820	3368		181	3290	2995	56	39	3120	3109	172	42	7	36	20	142	139	+0.5	2807	
HYN3150R	2794	3368		220	3310	2985	56	39	3113	3100	210	50	7	36	22	128	170	+0.5	3683	
HYN3150R1	2768	3432	2868	270	3342	2958	72	45	3104	3090	258	65	8	42	20	139	180	+0.5	4954	
HYN3150R1M	2758.8	3432	2868	270	3342	2958	72	45	3104	3090	258	65	8	42	22	126	180	+0.5	4988	
HYN3474	3140	3240	3240	173	3600	3310	100	33	3447	3434	152	30	10	30	20	158	140	+0.5	2640	
HYN3550	3190	3768		181	3690	3395	66	39	3520	3509	172	42	8	36	22	146	139	+0.5	3302	
HYN3550R	3190	3788		220	3710	3385	66	39	3513	3500	210	50	8	36	22	146	170	+0.5	4171	
HYN3550R1	3168	3832	3268	270	3742	3358	72	45	3504	3490	258	65	8	42	20	159	180	+0.5	5638	
HYN3550R1M	3154.8	3832	3268	270	3742	3358	72	45	3504	3490	258	65	8	42	22	144	180	+0.5	5706	
HYN4000	3652	4218		181	4140	3845	72	39	3970	3959	172	42	9	36	22	167	139	+0.5	3664	
HYN4000R	3624	4238		220	4160	3835	72	39	3963	3950	210	50	9	36	24	152	170	+0.5	4810	
HYN4000R1	3616.8	4282	3718	270	4192	3808	80	45	3954	3940	258	65	8	42	22	165	180	+0.5	6257	
HYN4000R1M	3610	4282	3718	270	4192	3808	80	45	3954	3940	258	65	8	42	25	145	180	+0.5	6268	
HYN4500	4092	4765		281	4675	4300	72	45	4454	4440	258	65	12	42	22	187	170	+0.5	7740	
HYN4500R	4122.8	4782	4218	270	4692	4308	80	45	4454	4440	258	65	8	42	22	188	180	+0.5	7040	
HYN4500RM	4110	4782	4218	270	4692	4308	80	45	4454	4440	258	65	8	42	25	165	180	+0.5	7108	